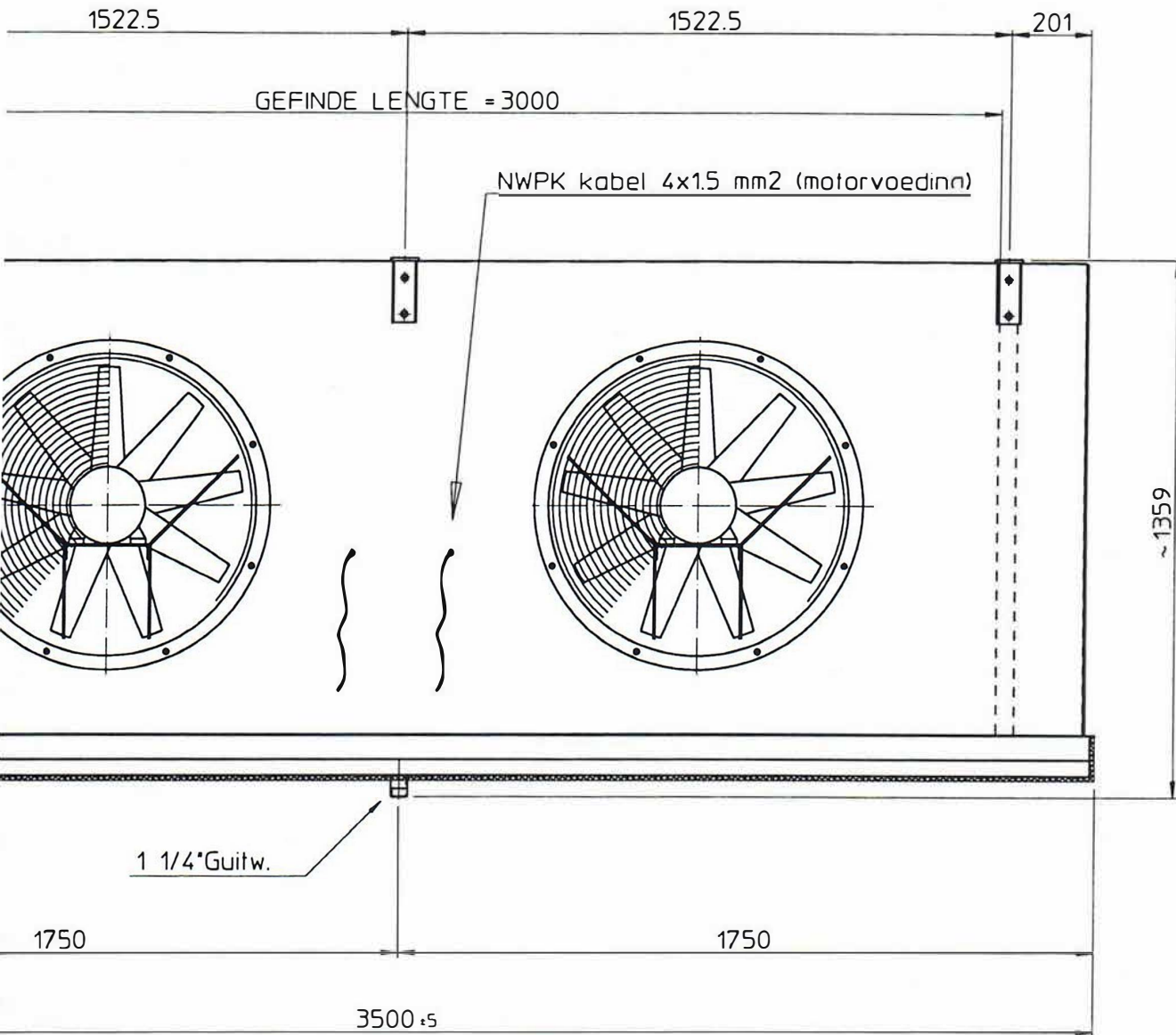


Bloktype	ZT 20.10- 8-300
Afk.opp.	554 m <sup>2</sup>
Capaciteit	65 kW
Koelmedium	NH <sub>3</sub> -pomp
Luchthoeveelheid	31000 m <sup>3</sup> /h
Waaier(s)	2x AREM D750/9/4z-45°
Motor(en)	2x 1.5 kW 1000/380/50/3
Inhoud	191 dm <sup>3</sup>
Gewicht (netto)	1400 kg
Afpersdruk	2500 kPa met lucht (Lucht)(PNEUMATIC)



WO: 63/7045    V: 960181    1x uitvoeren

Benaming Description		ZT 20.10-8-300-Q + airsock			Form Size	A2	Proj.	
Schaal Scale	1:12	Get. Drawn	A.M	Datum Date	10-Jan-96	-CAD-	Verkoopnr. Salesnr.	
				Wijziging Alteration				
				Tek.nr Orig.no.	63096004			
				Blad Sheet	01	van of	bladen sheets	



Apparatenfabriek Helpman B.V.

Auteursrecht voorbehouden, volgens de wet. Copyright reserved by law

**HELPMAN**

**Apparatenfabriek Helpman B.V.**  
 Postbus 44  
 9700 AA Groningen  
 Peizerweg 97

Telefoon (050) 217 555  
 Telefax (050) 264 878

Bank: ABN AMRO 57.05.10.902

**CERTIFICATE**

Product : *250 GELUKT*  
 Model no. : *250/250*  
 Serial no. : *250/250*  
 Beschrijving : *1 x 250/250*

In accordance with the EC machine directive, this product has been validated as an independent machine i.e. component (89/392 Form 2B). We certify that this product is constructed and produced by fully qualified personnel conform the following European directives and has passed the pressure test satisfactory.

- Health and safety: 89/392/EC.
- Electrical equipment: 73/23/EC and 89/336/EC.

It is prohibited to make use of the component before the machine within which the component will be built into, or shall be part of, that is with inclusion of the component, has been found and declared to be in accordance with the regulations of the EC directives.

TESTPRESSURE TUBE SIDE : Pneumatic 25 bar

REMARKS : Medium NH3  
 Max. workingtemperature -40/55 °C  
 Max. workingpressure 20 bar  
 Volume 191 dm3  
 Weight (empty) 1400 kg

Date : 20-02-1996

**HELPMAN**  
 Apparatenfabriek Helpman B.  
 Postbus 44  
 9700 AA Groningen  
 Tel. 050 - 217555